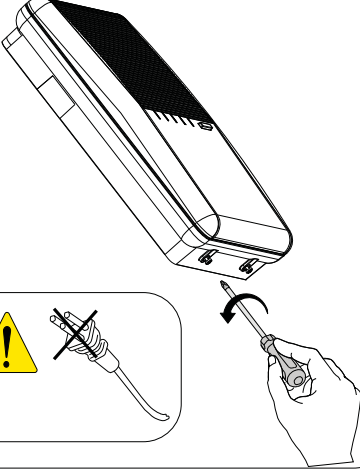
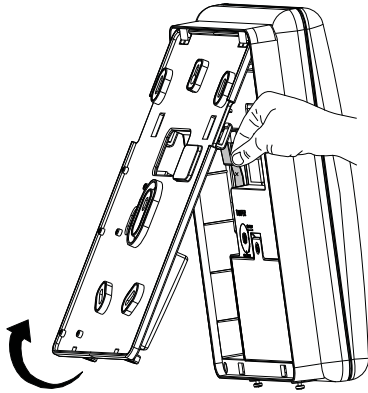


# Modem Installation

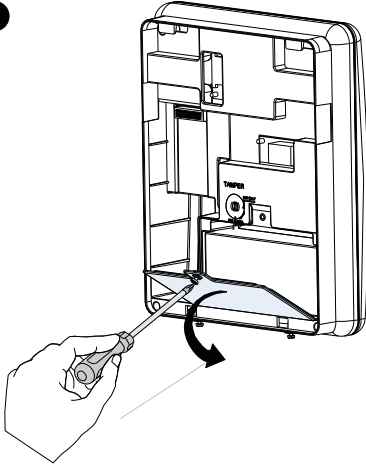
1



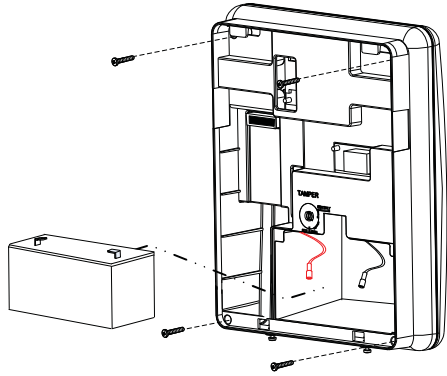
2



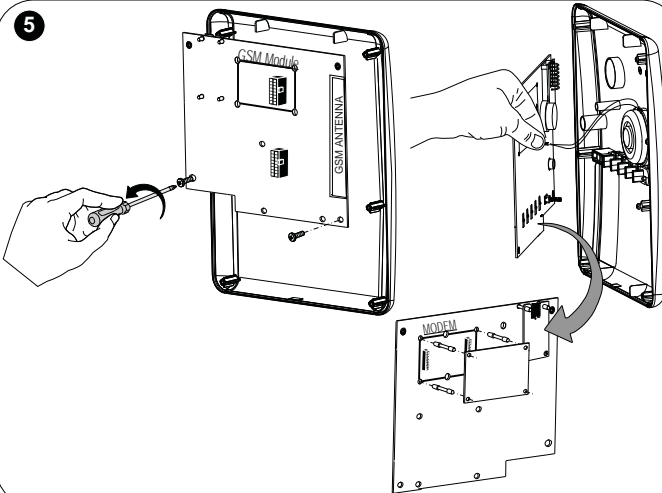
3



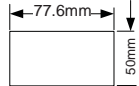
4



5



5.5-7.2 VDC  
Standby: 20 mA  
Comm.: 60 mA



-10°C > 60°C  
(14°F > 140°F)

-40°C > 60°C  
(-40°F > 140°F)

≤ 80%.

